

174-230MHz TV Quadrant Antenna 661 Series

Product Description

Quadrant antennas provide a cost effective top or side mount TV antenna for omnidirectional coverage in Band III.

Quadrant antennas are ideal for low and medium power single channel Band III TV applications. Coverage is basically omnidirectional and may be altered somewhat by adjustment of the positions of the radiators on the RFS antenna test range.

Each bay comprises two radiating elements to give approximately 3.5dBd gain. Up to six bays are available to meet higher gain needs.

The antenna system may be operated with pressurized or unpressurized feeders.



661-4

Features/Benefits

- Designed for high corrosion resistance and long life in harsh environments
- Includes top mounted hot dip galvanized support pole
- All solid outer, jacketed cables for high reliability
- Stainless steel radiators
- Omnidirectional coverage
- Horizontal polarization
- Available in low power (unpressurized) and medium power (pressurized) versions

Technical Specifications

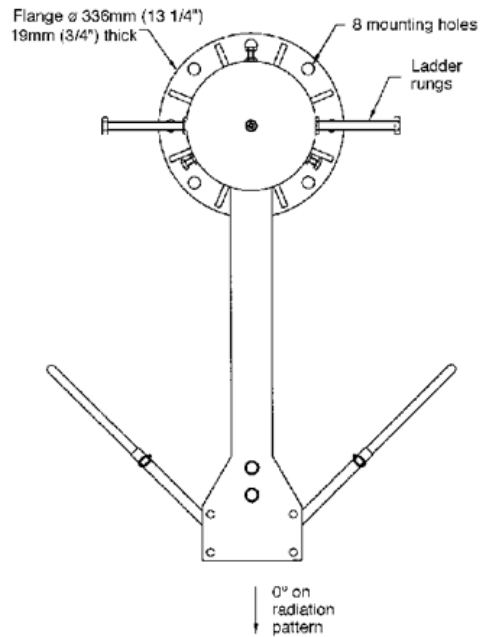
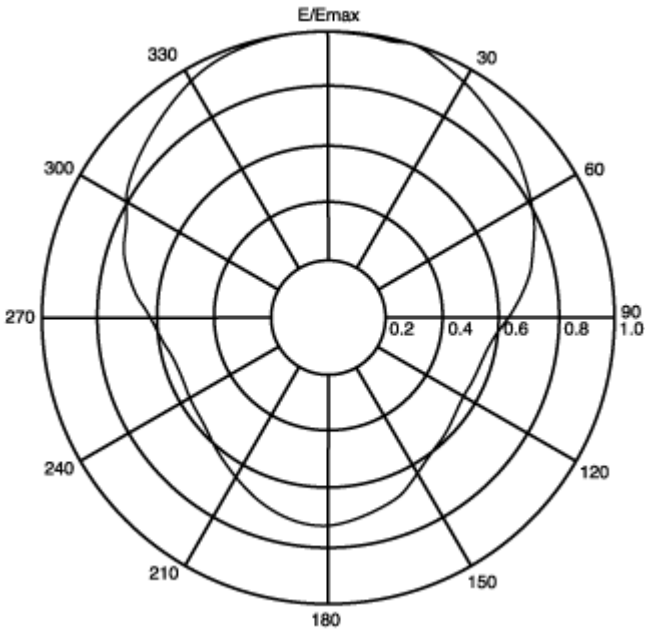
Product Line	Antenna TV
Product Type	Band III (High VHF) TV Panel Arrays
Frequency Range, MHz	174 - 230
Polarization	Horizontal
Number of Channels	Single
Nominal Gain (Mid-band), dBd	3.5
Return Loss, dB	26 Vision, 23 across channel
Input Connector	7/8" EIA Flange
Power Rating, kW	0.25/bay unpressurized; 2.5/bay pressurized
Impedance, ohms	50 unbalanced
Weight, kg (lb)	90 (198)
Base Diameter, mm (in)	336 (13-1/4)
Mounting (Standard), mm (in)	8 x 20mm (3/4) bolts on 297mm (11-3/4) PCD
Effective Area Front (full antenna), sq m (sq ft)	0.871 (9.40)
Effective Area Side (full antenna), sq m (sq ft)	0.823 (8.90)
Base Moment, kNm (lb-ft)	1786
Base Shear, kN (lb)	1854
Design Wind Speed (max), km/h (mph)	240 (150)
Pressurization Operational, kPa (psi)	10 - 25 (1.5 - 3.6)
Pressurization Test, kPa (psi)	100 (15)
Material - Insulators	PTFE
Material - Support Pole / Mounting	Galvanised Steel
Material - Radiators	Stainless Steel

Notes

Other Documentation



174-230MHz TV Quadrant Antenna 661 Series



All information contained in the present datasheet is subject to confirmation at time of ordering