

174-230MHz TV/DAB Panel Array 662 Series

Product Description

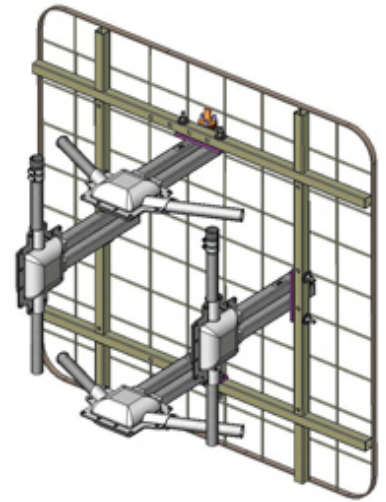
The 662 series has been designed for circularly polarized Band III TV/DAB applications or alternatively, combined horizontal and vertical applications in the 174 - 230MHz frequency range and is extremely useful as an antenna building block.

Four dipoles are mounted in square configuration off a reflective screen to enable the horizontal and vertical components to be fed separately. It is possible to radiate separate services on horizontal, vertical or circular polarization using the one antenna system with a resultant saving on antenna and tower space and cost.

The dipoles are fabricated from stainless steel for maximum corrosion protection. The screen is hot dipped galvanized to international standards.

662CP panels are available with either 2 or 4 input connectors while 662HP and 662VP panels are available with either 1 or 2 input connectors.

All panels are available with either 7-16 DIN or 7/8" EIA flanged input connectors. The 7-16 DIN versions are un-pressurized. Contact RFS for details.

**Features/Benefits**

- Horizontal, vertical or circular polarization, depending on model
- Full band (174 – 230MHz) operation is possible
- High power handling capacity
- Designed for high corrosion resistance and long life in harsh environments
- Array design allows a variety of standard radiation patterns and customized patterns to suit customer requirements. Contact RFS for details

Technical Specifications

Product Line	Antenna TV/DAB
Product Type	Band III (High VHF) TV/DAB Panel Arrays
Frequency Range, MHz	174 - 230
Polarization	Vertical
Number of Channels	Multichannel
Nominal Gain (Mid-band), dBd	7.5/ plane
Half Power Beamwidth Azimuth, degrees	65
Return Loss, dB	20 (co-phased array), 25 (phase rotated) Note#4
Input Connector	2 x 7-16 DIN; 2 x 7/8" EIA Flange, 1 x 7-16 DIN; 1 x 7/8" EIA Flange Note#3
Power Rating per Input, kW	3; 4 Note#1
Impedance, ohms	50 unbalanced
Weight, kg (lb)	36 (80)
Mounting (Standard), mm (in)	4 x 12mm (1/2) bolts
Effective Area Front (full antenna), sq m (sq ft)	0.6 (6.46)
Effective Area Side (full antenna), sq m (sq ft)	0.6 (6.46)
Design Wind Speed (max), km/h (mph)	240 (150)
Pressurization Operational, kPa (psi)	10 - 25 (1.5 - 3.6)
Pressurization Test, kPa (psi)	100 (15)
Material - Insulators	PTFE
Material - Radiators	Stainless Steel
Material - Reflecting Screen	Hot Dipped Galvanised steel

Notes

Note1 Power rating is limited by the input connector type. 3kW for 7-16 DIN, 4kW for 7/8" EIA

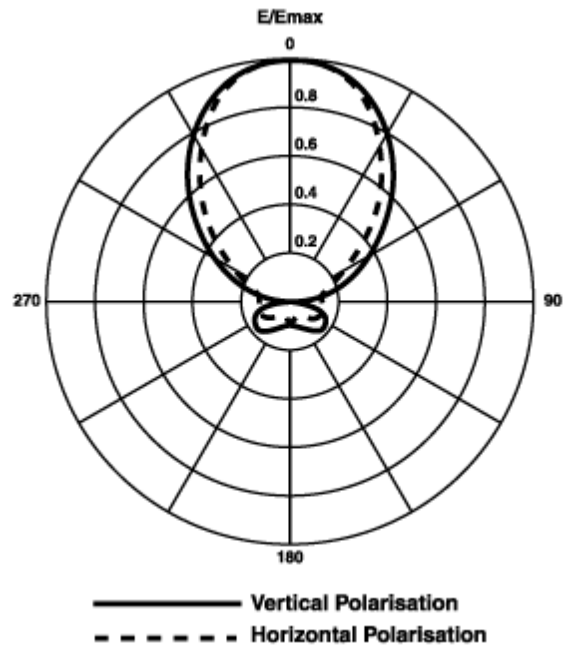
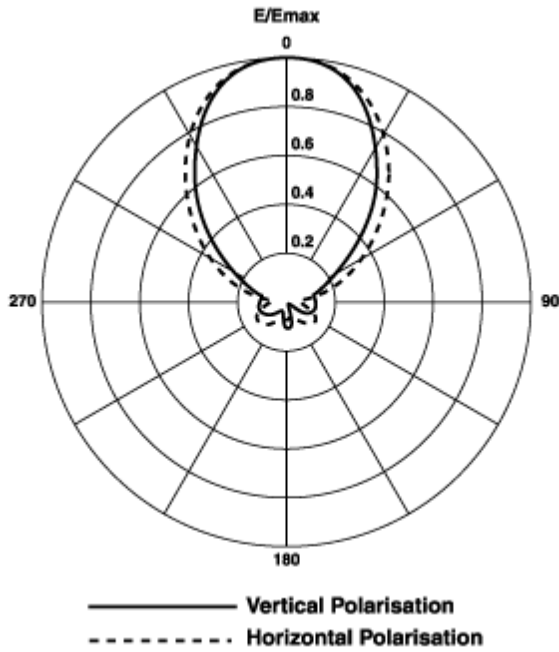
Note2 662CP Model is available with quad or dual inputs

Note3 662HP and 662VP models available with dual or single inputs

>Note4 Return loss 662HP/VP. As interleaved independent arrays, use values as per 662HP or 666VP

Other Documentation

174-230MHz TV/DAB Panel Array 662 Series



All information contained in the present datasheet is subject to confirmation at time of ordering