

7/8" EIA Connector for 5/8" Coaxial Cable, Gas pass, compound sealing

Product Description

Radio Frequency Systems line of high performance HELIFLEX® coaxial cable connectors are characterized by excellent gas tightness and extremely low losses. HELIFLEX® Lite connectors can be installed with basic hand tools, but the use of dedicated installation tools further facilitates ease of assembly and improves performance.

RFS connectors are fully tested for mechanical and electrical compliance specifications. HELIFLEX® Lite premium connectors have excellent electrical values and provide outstanding performance for the most demanding applications. The RFS connector design provides maximum sealing integrity and gas tightness.



Connector EIA 7/8"

Features/Benefits

- Lightweight
- Excellent gas tightness, Overpressure for increased voltage handling is maintained throughout the system.
- Robust Mechanical Design, Superior and consistent performance guarantees outstanding system characteristics.
- Extremely low reflection factor, Outstanding low reflection factor improves overall system performance and margin and reduces mismatch losses
- Totally Waterproof according to IP 66 / 68, Assures safe, long term operation in the harshest of environments. System tightness doesn't have to rely on overpressure from dehydration equipment.
- Easy to install, no special tools needed. Only basic hand tools required. No additional cost to the installer.
- RoHs (EU) and CRoHs (China) compliant, can be used on a global basis.

Technical Specifications

Transmission Line Type	Coaxial Cable
Cable Size	5/8"
Cable Type	Air Dielectric
Model Series	HCA58-50 Series
Connector Interface	7/8" EIA
Connector Type	Gas pass
Sealing Method	Sealing compound
Gender	Female
Plating Outer/Inner	Silver/Silver
Length, mm (in)	99 (3.9)
Outer Diameter, mm (in)	57.2 (2.25)
Weight, kg (lb)	0.4 (0.88)
Inner Contact Attachment	Threaded
Outer Contact Attachment	Tab Flare
VSWR (Return Loss, dB)	0 < f = 1.0 GHz: 1.02 (40.0) 1.0 < f = 2.3 GHz: 1.05 (32.3) 2.3 < f = 3.0 GHz: 1.07 (29.4)
Waterproof Level	IP66, IP68
Sealing Volume, cm3 (ounces)	5 (0.17)

Notes

To join two cables with EIA connectors, two identical socket connectors are installed on either end of the cables to be joined, and a coupling element is used to make the connection of the center conductor.

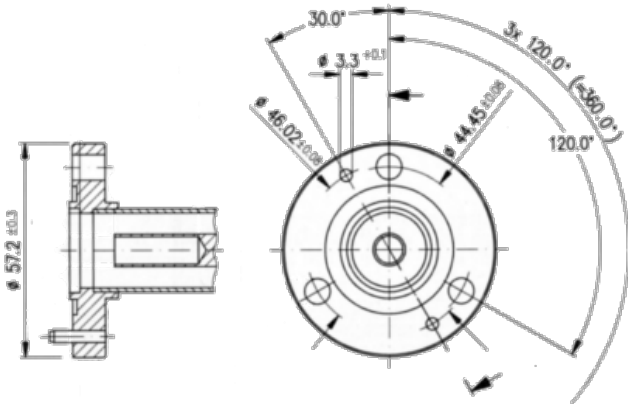
The coupling element must be ordered separately.

Other Documentation

Installation Instruction: [15412840H05.pdf](http://www.rfsworld.com/15412840H05.pdf)



7/8" EIA Connector for 5/8" Coaxial Cable, Gas pass, compound sealing



All information contained in the present datasheet is subject to confirmation at time of ordering