

N Male Connector for 1-1/4" Coaxial Cable, OMNI FIT standard, O-ring sealing

Product Description

OMNI FIT™ high performance connectors are designed for use with both CELLFLEX® (copper) and CELLFLEX® Lite (aluminum) cables. They are designed specifically to provide the highest quality connector-cable interface while simplifying and speeding up connector attachment. All RFS connectors are fully tested for mechanical and electrical compliance to industry specifications. The N connector is one of the most common RF connector types and meets all requirements even under the most severe environmental conditions.



OMNI FIT™ Standard Connectors

Features/Benefits

- Cost effective two-piece design for safe and easy installation
- Compatible with copper and aluminium cable types i.e. one connector for both outer conductor materials eliminates the risk of faulty connector installation and helps to keep inventory down
- Robust mechanical design for low and consistent intermodulation performance i.e. keeps the mobile network performance up, reduces the number of dropped calls and avoids revenue losses
- Standard electrical performance for consistent and repeatable VSWR i.e. ensure network system performance
- Waterproof to IP 68 i.e. no downtime risk, secures revenue
- RoHS (EU) compliant i.e. can be used on a global basis

Technical Specifications

Transmission Line Type	Coaxial Cable
Cable Size	1-1/4"
Cable Type	Foam Dielectric, Ultraflexible, Radiating
Model Series	UCF114-50A, LCFS114-50A, UCF114-50L, LCFS114-50L Series
Connector Interface	N
Nominal Impedance, ohms	50
Connector Type	OMNI FIT™ Standard
Sealing Method	O-ring
Gender	Male
Plating Outer/Inner	Trimetal/Silver
Length, mm (in)	75.7 (2.98)
Outer Diameter, mm (in)	48.8 (1.92)
Weight, kg (lb)	0.361 (0.79)
Inner Contact Attachment	Spring Finger
Outer Contact Attachment	Spring C-Ring
3rd Order IM Product @ 2x20 Watts, dBc	-159 typical
Maximum Frequency, GHz	3.6
VSWR (Return Loss, dB)	0 < f = 1.0 GHz: 1.03 (36.6) 1.0 < f = 2.7 GHz: 1.04 (34.1) 2.7 < f = 3.7 GHz: 1.08 (28.3)
Wrench size front, mm (in)	Open end wrench 45 (1-3/4)
Wrench size rear, mm (in)	Open end wrench 45 (1-3/4)
Poly Hook Spanner, mm (in)	PHS 60-90-5 Ø 60-90 (2.3-3.5) Pin 5 (0.2)
Trimming Tool	TRIM-SET-L114-C02
Waterproof Level	IP68

Notes

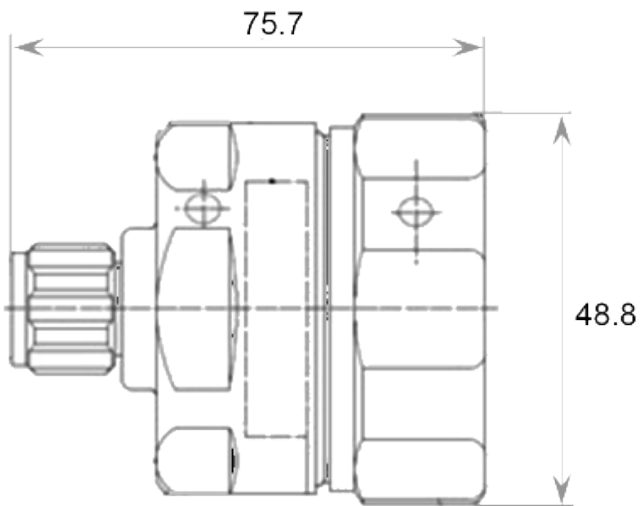
Other Documentation

Installation instruction: [1000006028-04.pdf](#)

Application Note: [1000009163-01_Application Note_Installation of Heat Shrink Sleeves for additional sealing of Connectors.pdf](#)



N Male Connector for 1-1/4" Coaxial Cable, OMNI FIT standard, O-ring sealing



All information contained in the present datasheet is subject to confirmation at time of ordering